

THE STANDARD PATENT GLAZING CO. LTD.

Flagship House, Forge Lane, Dewsbury, West Yorkshire. WF12 9EL

Telephone: 01924 461213

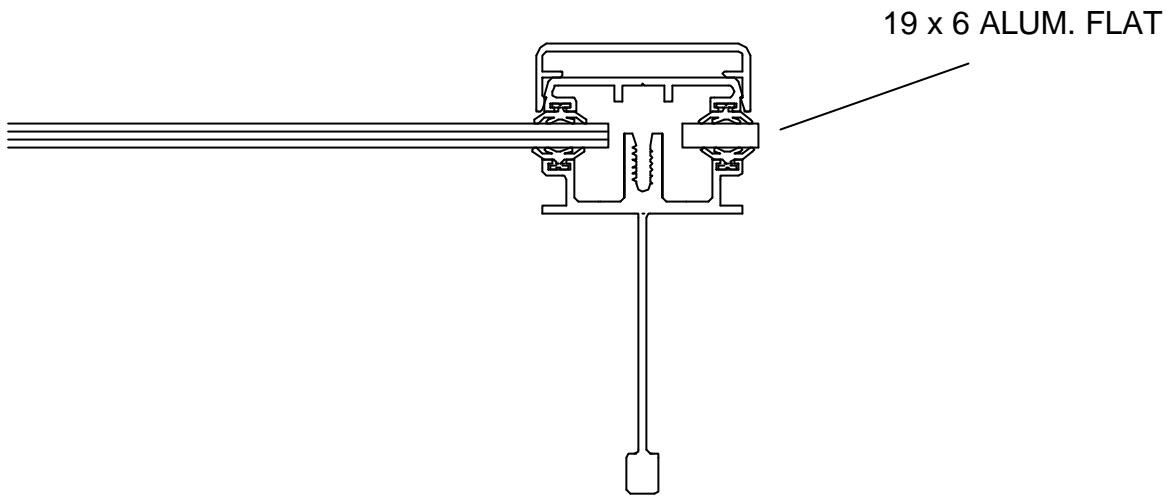
Fax: 01924 458083

PROJECT: TYPICAL DETAILS

CANOPY DETAILS

SHEET No.

S-6040



STEEL BEAM
NOT BY SPG Co Ltd

