

**THE STANDARD PATENT GLAZING CO. LTD.**

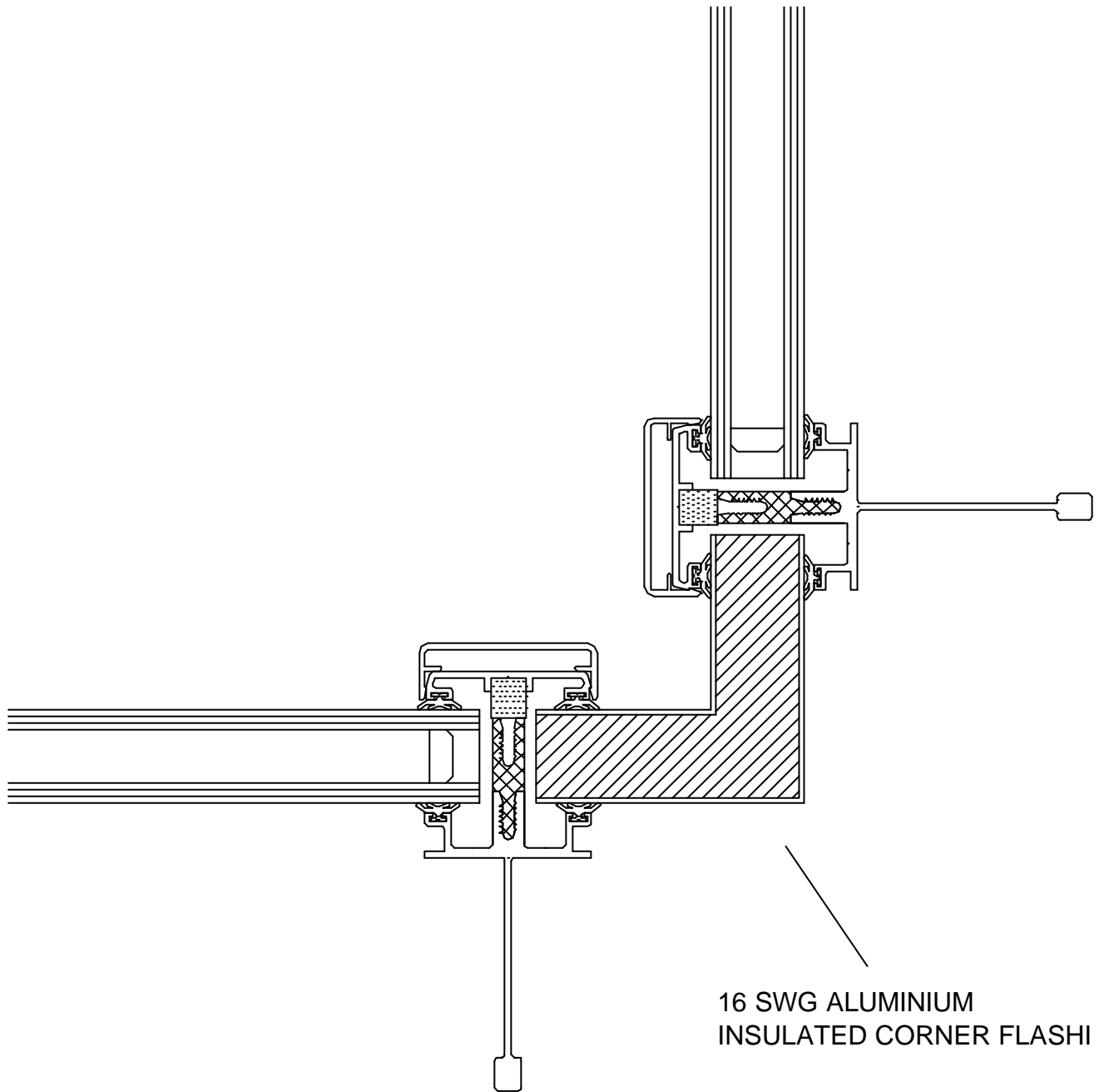
Flagship House, Forge Lane, Dewsbury, West Yorkshire. WF12 9EL

Telephone: 01924 461213

Fax: 01924 458083

PROJECT: TYPICAL DETAILS  
VERTICAL DETAILS

SHEET No. S-5110



16 SWG ALUMINIUM  
INSULATED CORNER FLASHI