

THE STANDARD PATENT GLAZING CO. LTD.

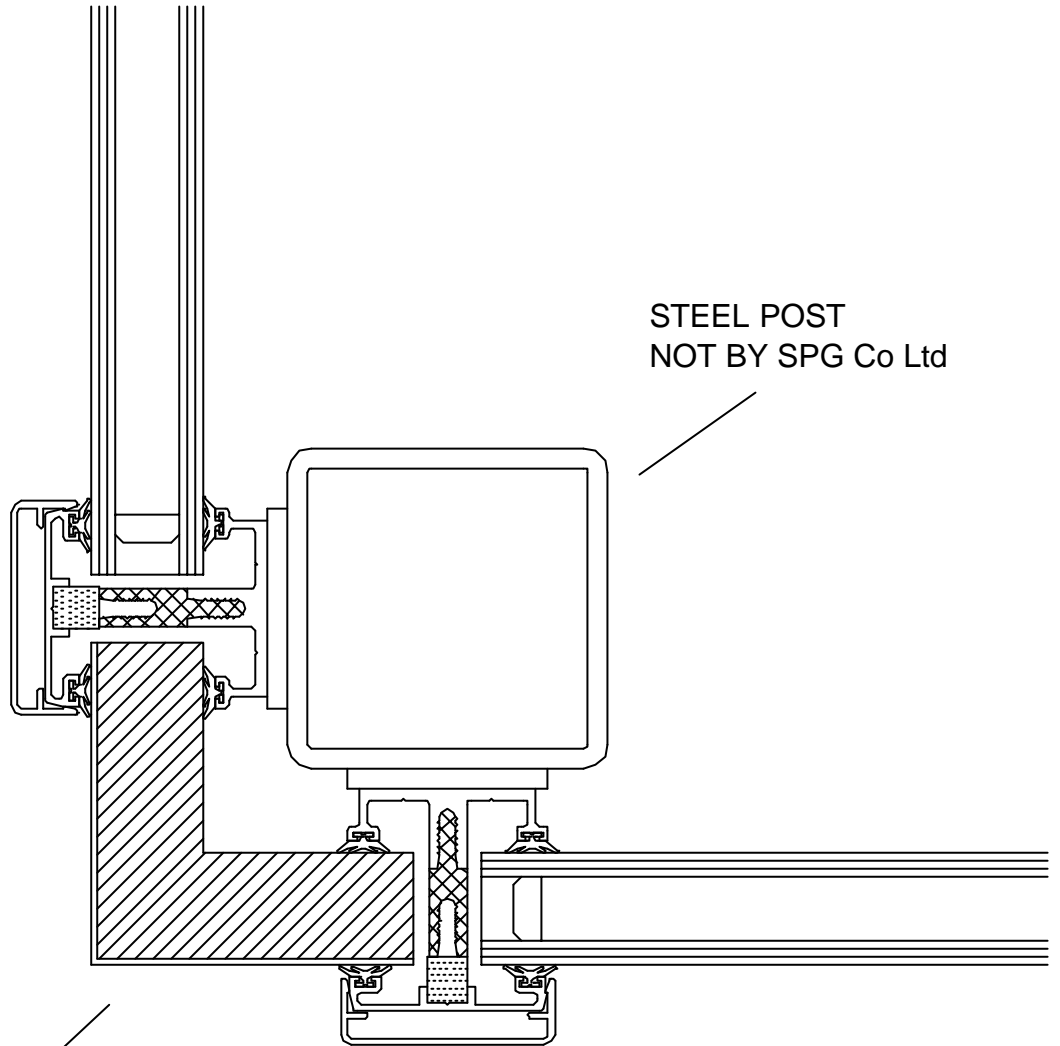
Flagship House, Forge Lane, Dewsbury, West Yorkshire. WF12 9EL

Telephone: 01924 461213

Fax: 01924 458083

PROJECT: TYPICAL DETAILS
VERTICAL DETAILS

SHEET No. S-5100



STEEL POST
NOT BY SPG Co Ltd

16 SWG ALUMINIUM
INSULATED CORNER FLASHING