

**THE STANDARD PATENT GLAZING CO. LTD.**

Flagship House, Forge Lane, Dewsbury, West Yorkshire. WF12 9EL

Telephone: 01924 461213

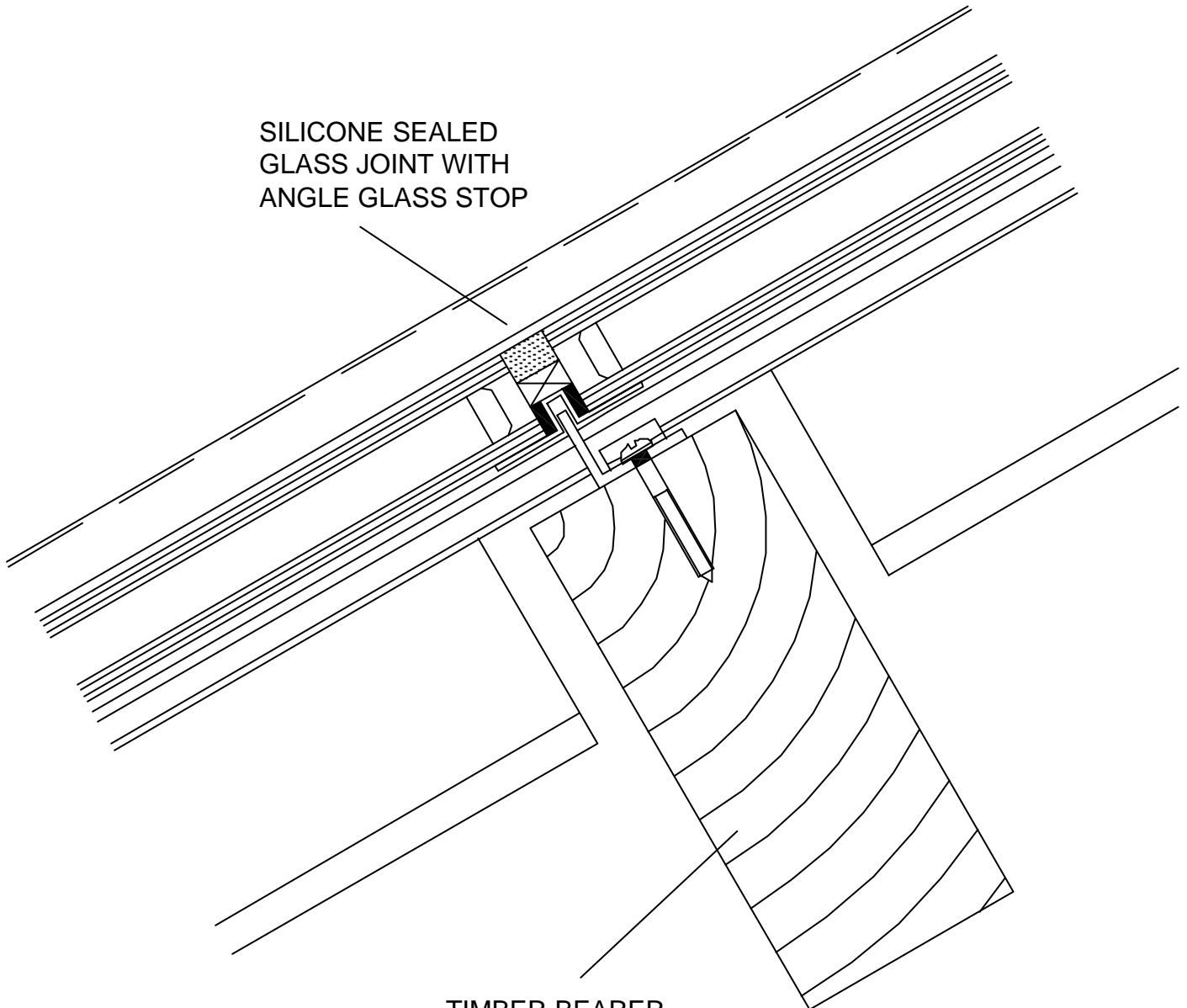
Fax: 01924 458083

PROJECT: TYPICAL DETAILS

BREAK DETAILS

SHEET No.

S-4030



SILICONE SEALED  
GLASS JOINT WITH  
ANGLE GLASS STOP

TIMBER BEARER  
NOT BY SPG Co Ltd