

**THE STANDARD PATENT GLAZING CO. LTD.**

Flagship House, Forge Lane, Dewsbury, West Yorkshire. WF12 9EL

Telephone: 01924 461213

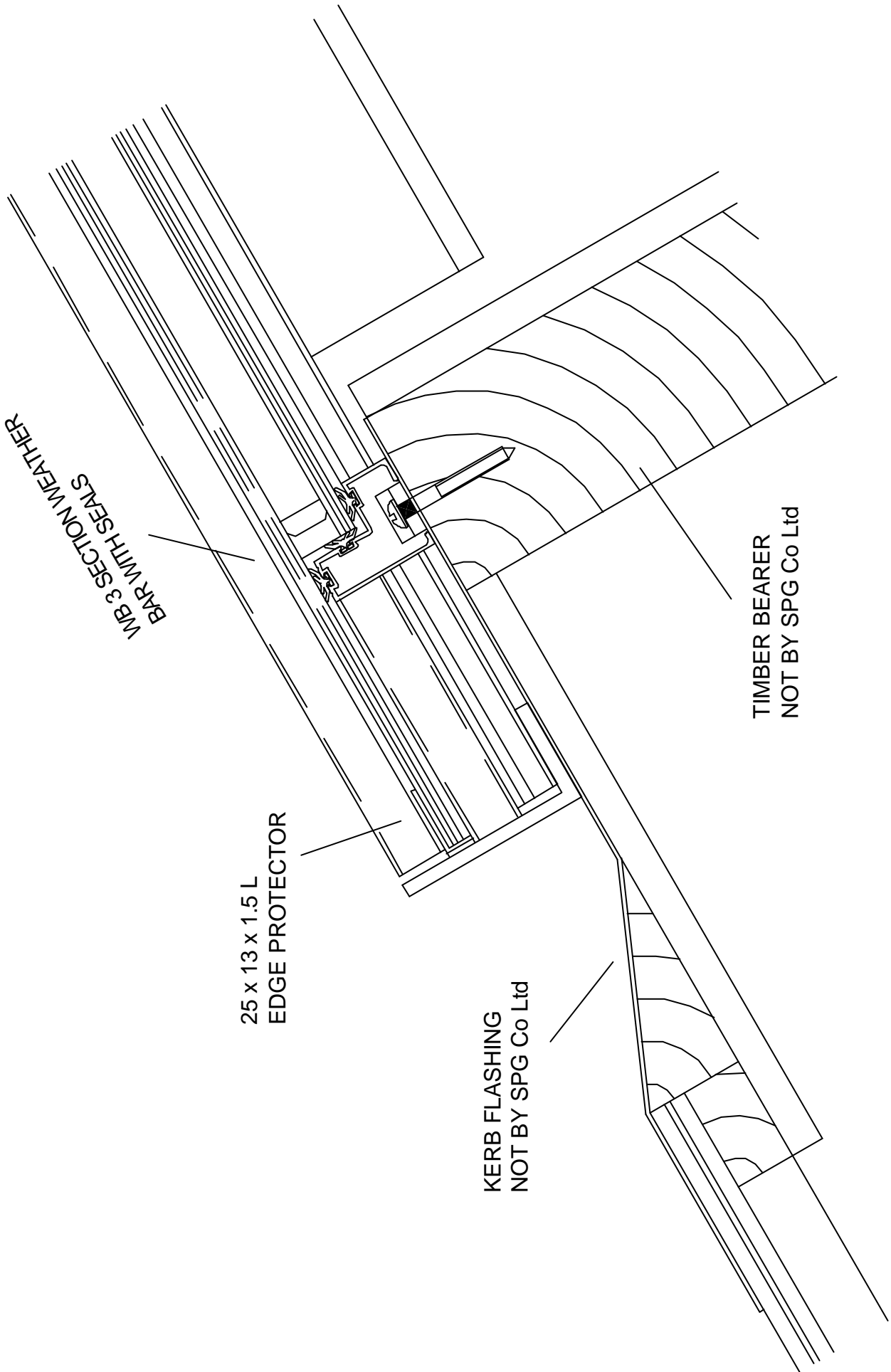
Fax: 01924 458083

PROJECT: TYPICAL DETAILS

EAVES DETAILS

SHEET No.

S-3020



WB 3 SECTION WEATHER  
BAR WITH SEALS

25 x 13 x 1.5 L  
EDGE PROTECTOR

KERB FLASHING  
NOT BY SPG Co Ltd

TIMBER BEARER  
NOT BY SPG Co Ltd