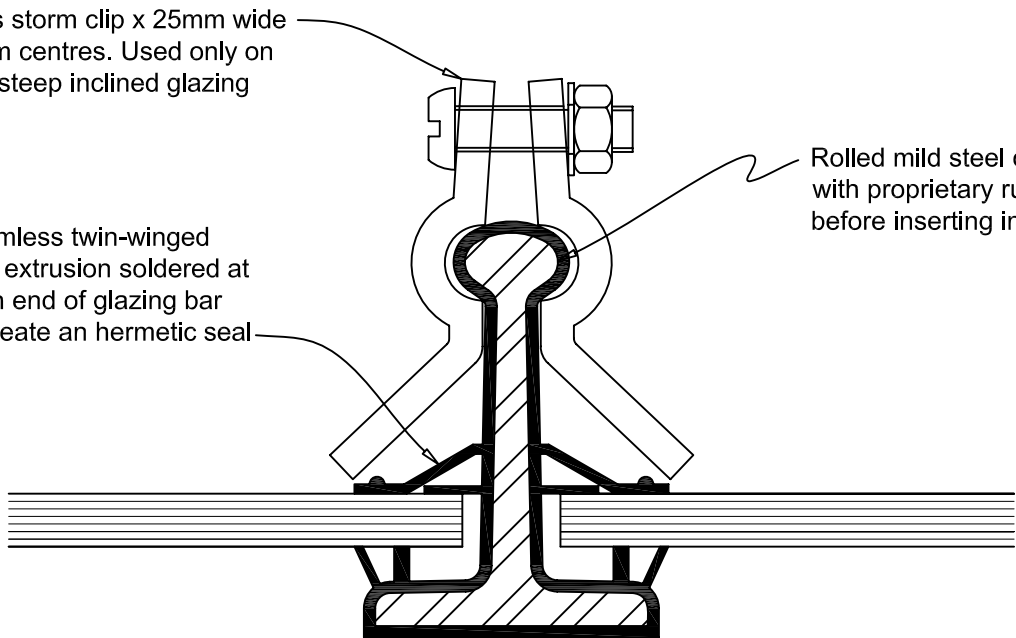


Drg No. HS-1060 < use this ref for downloading from our website	
Title : Heritage Glazing details LC7 single glazing bar with storm clip	Scale: 1:1
download from www.patent-glazing.com/pdf/heritage --- for .pdf format download from www.patent-glazing.com/cad/heritage --- for .dwg format	

Cast Brass storm clip x 25mm wide @ 1200mm centres. Used only on vertical or steep inclined glazing

Seamless twin-winged lead extrusion soldered at each end of glazing bar to create an hermetic seal

Rolled mild steel core sprayed with proprietary rust inhibitor before inserting into lead cover



No.7 'Heritage' Lead Covered Steel Glazing Bar with 6 / 7mm infill

