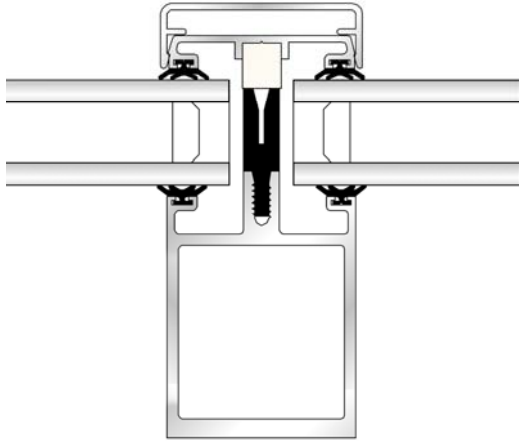


Skyline BOX



Skyline Box

Our flagship range. Similar to Curtain Walling in appearance. The strength of the section is achieved with an internal box section and is supplied with a screw-on and snap-on outer capping system for securing the glass in place. Available with thermal break and Compliant with the new 'L' Regulations. This system is used mostly for high spec contracts and where visual appearance is of high importance.

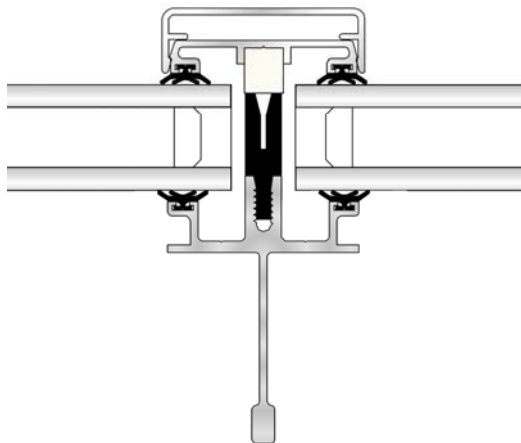
Advantages:

- Very large spans
- Concealed capping fixings
- 'L' Reg compliant
- Thermally Broken

Considerations:

- Not generally suitable for refurbishment contracts due to rebates in existing openings being too shallow

Skyline



Skyline

Modern design. The strength of the section is achieved with an internal stalk and is supplied with a screw-on and snap-on outer capping system for securing the glass in place. Available with thermal break and Compliant with the new 'L' Regulations. This system is used mostly for double glazed applications and where the capping fixings should be concealed.

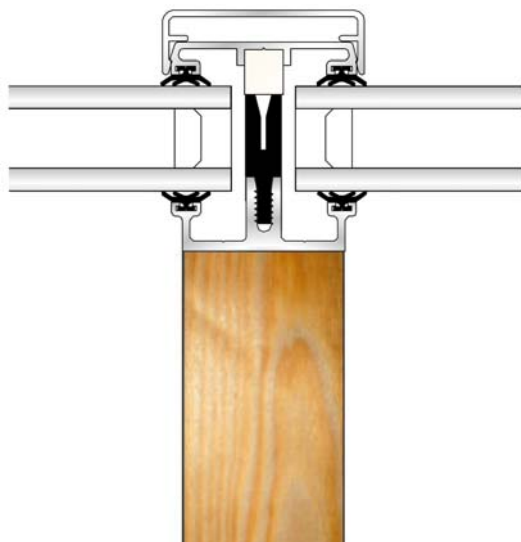
Advantages:

- Economy
- Slender section
- Concealed capping fixing
- 'L' Reg compliant
- Thermally Broken

Considerations:

- lower tolerance for discrepancies in structure

Rafterline



Rafterline

Popular design. Non structural glazing bar. Designed for fixing direct to timber rafters. Supplied with a screw-on and snap-on outer capping system for securing the glass in place. Available with thermal break and Compliant with the new 'L' Regulations. This system is heavily specified for domestic contracts such as conservatory roofs.

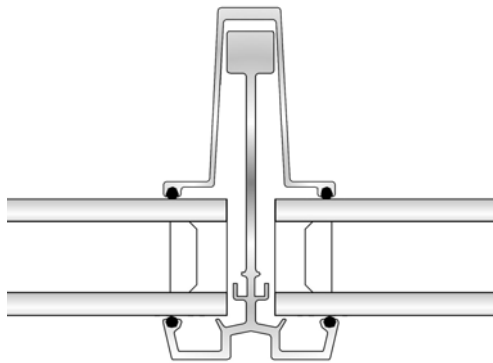
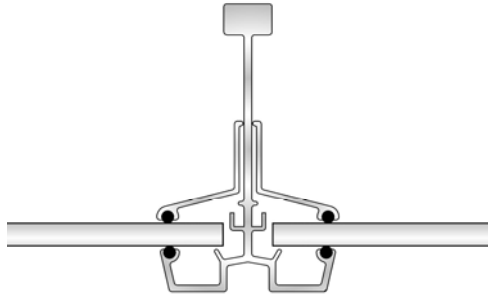
Advantages:

- Unlimited span
- Concealed capping fixings
- 'L' Reg compliant
- Thermally Broken

Considerations:

- Accuracy required from joiner in rafter installation. If rafters are installed out of square then on-site templating and shaped glass may be necessary.

Traditional



Traditional

A popular design for single glazed applications. The strength of the section is achieved with an external stalk and can be supplied with wings or cappings for securing the glass in place.

Since the incorporation of the 'L' Regulations, this system is now used for double glazing only where the Regs are not applicable.

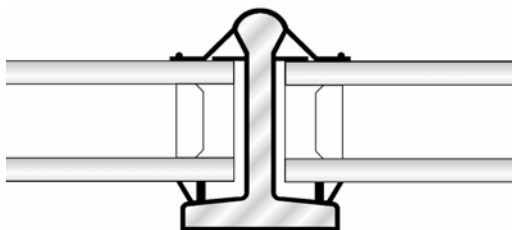
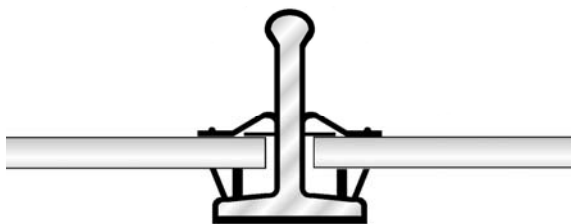
Advantages:

- Economy
- choice of outer capping sections
- higher tolerance for discrepancies in structure

Considerations:

- NOT 'L' Reg compliant

Heritage



Heritage

A unique product. This original glazing bar range has been manufactured by us for over a hundred years, and is perfect for using on listed and historic buildings. No other patent glazing bar has these original characteristics.

Advantages:

- Conservation product
- Single and double glazed option
- Original cast brass furniture
- hermetically sealed lead covers

Considerations:

- Only exempt from 'L' Reg compliance on Listed and Historic Buildings